

# Technical data sheet

## Product features



### Fry-top griddle plate smooth chromed on open cabinet

<b>Model</b>	<b>SAP Code</b>	00008525
--------------	-----------------	----------



- Top type: Smooth
- Griddle dimensions [mm x mm]: 560 x 370
- Griddle thickness [mm]: 12.00
- Worktop material: AISI 304
- Container for liquid fat: Yes
- Maximum device temperature [°C]: 50
- Surface finish: polished chrome 0.03 mm
- Removable rim: Yes

<b>SAP Code</b>	00008525	<b>Power electric [kW]</b>	4.500
<b>Net Width [mm]</b>	400	<b>Loading</b>	400 V / 3N - 50 Hz
<b>Net Depth [mm]</b>	730	<b>Griddle dimensions [mm x mm]</b>	560 x 370
<b>Net Height [mm]</b>	900	<b>Top type</b>	Smooth
<b>Net Weight [kg]</b>	50.90	<b>Worktop type</b>	Molded - comfortable cleaning maintenance

# Technical data sheet

Technical drawing

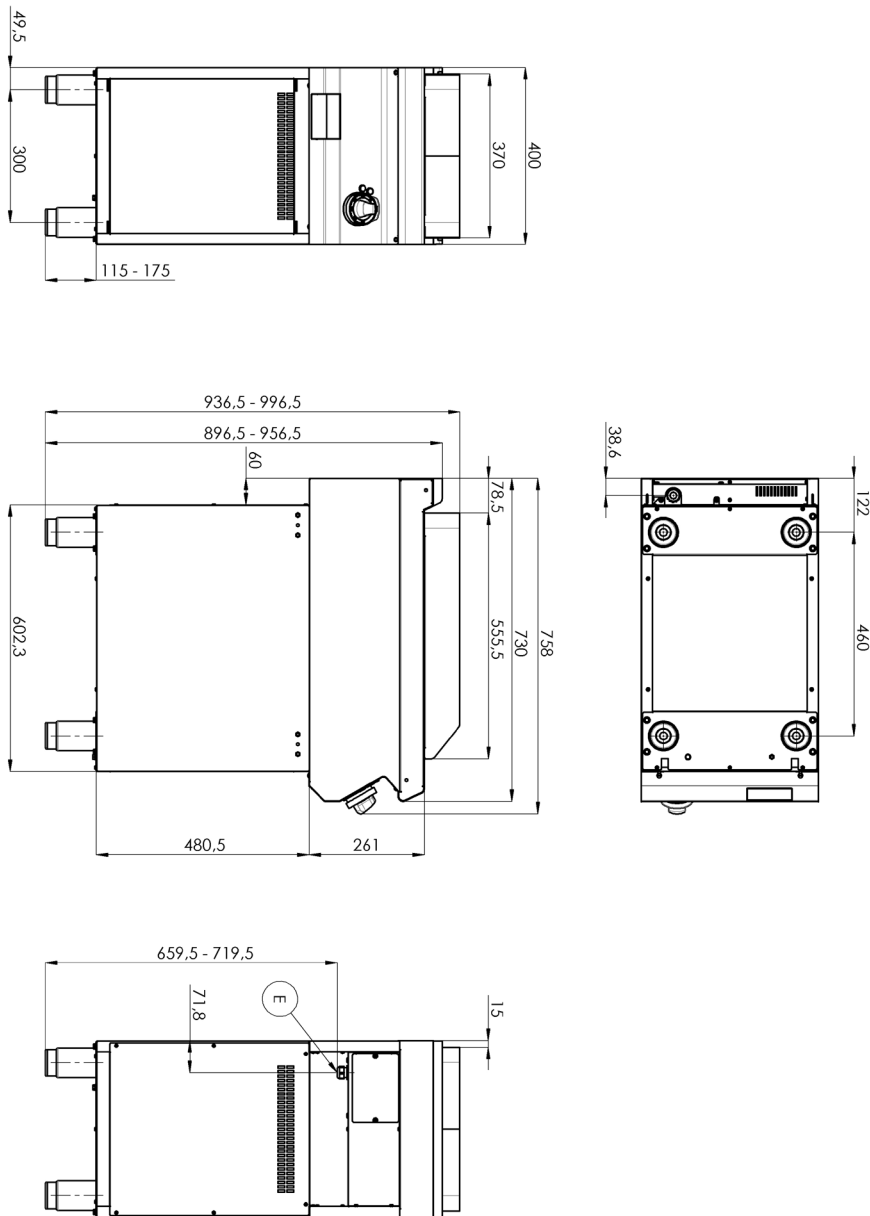


## Fry-top griddle plate smooth chromed on open cabinet

Model

SAP Code

00008525



# Technical data sheet

## Technical parameters



### Fry-top griddle plate smooth chromed on open cabinet

<b>Model</b>	<b>SAP Code</b>	00008525
--------------	-----------------	----------

**1. SAP Code:**

00008525

**2. Net Width [mm]:**

400

**3. Net Depth [mm]:**

730

**4. Net Height [mm]:**

900

**5. Net Weight [kg]:**

50.90

**6. Gross Width [mm]:**

440

**7. Gross depth [mm]:**

800

**8. Gross Height [mm]:**

1080

**9. Gross Weight [kg]:**

57.50

**10. Device type:**

Electric unit

**11. Construction type of device:**

With substructure

**12. Power electric [kW]:**

4.500

**13. Loading:**

400 V / 3N - 50 Hz

**14. Protection of controls:**

IP24

**15. Exterior color of the device:**

Stainless steel

**16. Material:**

AISI 304 top plate and cladding

**17. Indicators:**

operation and warm-up

**18. Worktop type:**

Molded - comfortable cleaning maintenance

**19. Worktop material:**

AISI 304

**20. Worktop Thickness [mm]:**

1.50

**21. Surface finish:**

polished chrome 0.03 mm

**22. Maximum device temperature [°C]:**

50

**23. Minimum device temperature [°C]:**

300

**24. Safety thermostat:**

Yes

**25. Safety thermostat up to x ° C:**

360

**26. Adjustable feet:**

Yes

**27. Griddle dimensions [mm x mm]:**

560 x 370

**28. Griddle thickness [mm]:**

12.00

# Technical data sheet

Technical parameters



**Fry-top griddle plate smooth chromed on open cabinet**

**Model**

**SAP Code**

00008525

**29. Container for liquid fat:**

Yes

**31. Removable rim:**

Yes

**30. Removable device container:**

No

**32. Top type:**

Smooth